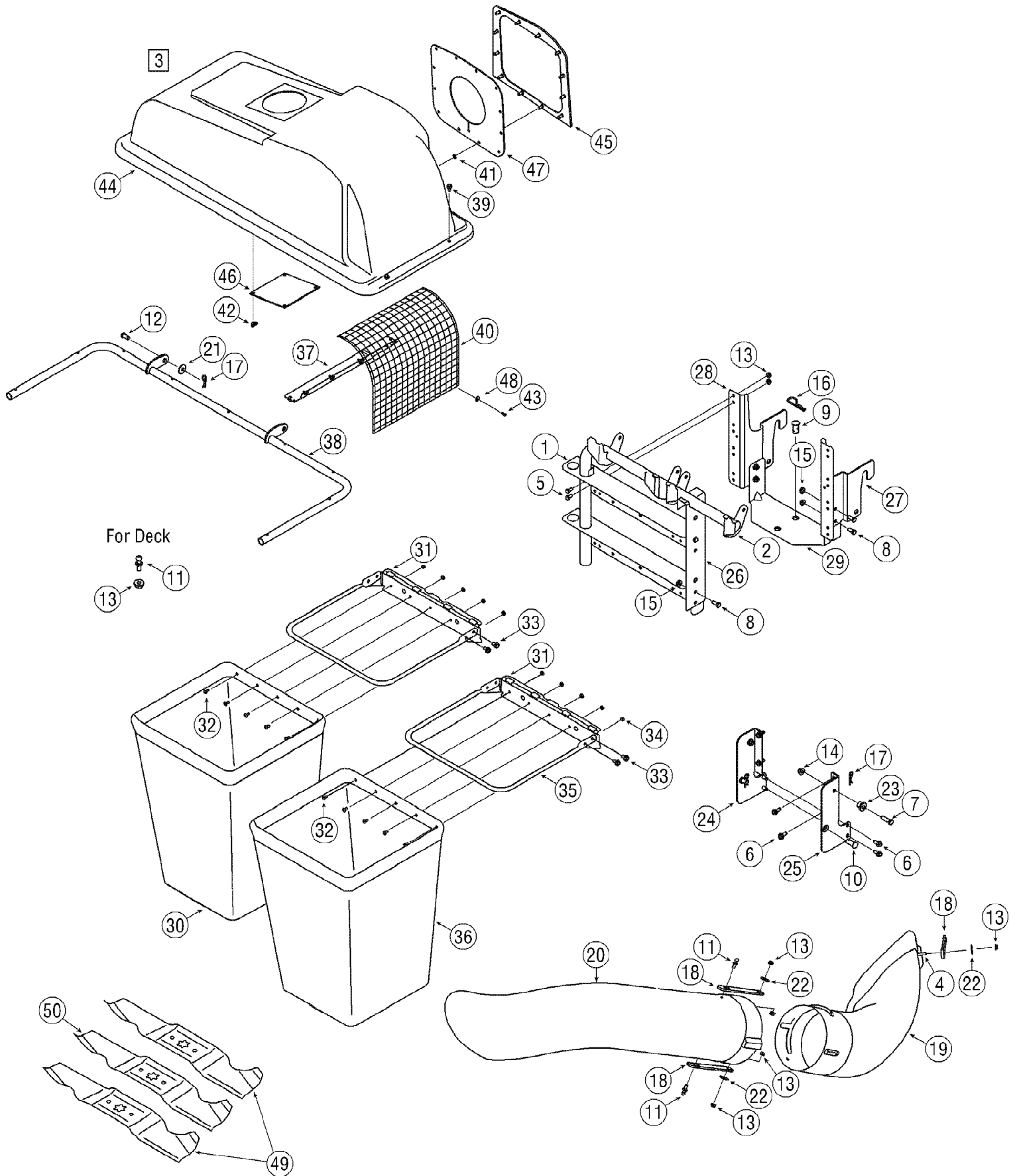


190-182-190 Twin Bagger (2007)  
Bagger Assembly



190-182-190 Twin Bagger (2007)  
Bagger Assembly

Page 2 of 3

| Ref # | Part Number | Qty | S/P/F | Description                                      |
|-------|-------------|-----|-------|--|
| 1     | 16587D      | 1   | S     | Support Bracket: Bagger                          |
| 2     | 16592       | 1   | S     | Support Tube Assembly                            |
| 3     | 664-04017   | 1   |       | Grass catcher Cover Assy (includes Ref. 37 - 48) |
| 4     | 710-0597    | 1   | /P    | Screw 1/4-20 x 1"                                |
| 5     | 710-0751    | 1   | /P    | Hex Head Screw 1/4-20 x .62                      |
| 6     | 710-1260A   | 1   | /P    | Self-Tap. Screw 5/16-18 x .75                    |
| 7     | 710-3005    | 1   | /P    | Hex Hd. Screw, 3/8-16 x 1.25                     |
| 8     | 710-3008    | 1   | /P    | Hex Hd. Screw, 5/16-18 x .75                     |
| 9     | 711-0309A   | 1   | /P    | Clevis Pin, .62 Dia.                             |
| 10    | 711-0310    | 1   | S     | Clevis Pin, .50 x 1.18                           |
| 11    | 711-04069   | 1   | S     | Grass Catcher Pin 1/4-20                         |
| 12    | 711-1421    | 1   |       | Clevis Pin, 3/8 x .75                            |
| 13    | 712-04064   | 1   | /P    | Hex Flange Lock Nut, 1/4-20                      |
| 14    | 712-04065   | 1   | /P    | Hex Flange Lock Nut, 3/8-16                      |
| 15    | 712-3004A   | 1   | /P    | Hex Flg. Lock Nut, 5/16-18                       |
| 16    | 714-0117    | 1   | /P    | Hairpin Clip                                     |
| 17    | 714-0145    | 1   | S     | Click Pin  |
| 18    | 723-04008A  | 1   | /P    | Chute Strap                                      |
| 19    | 731-04153   | 1   | S     | Discharge Chute 38"/42" Deck                     |
| 19    | 731-04159   | 1   | S     | Discharge Chute 46" Deck                         |
| 20    | 731-0899E   | 1   | /P    | Chute Tube 38"/42" Deck                          |
| 20    | 731-0926B   | 1   | /P    | Chute Tube 46" Deck                              |
| 21    | 736-0331    | 1   | /P    | Bell Washer                                      |
| 22    | 736-3092    | 1   | /P    | Flat Washer                                      |
| 23    | 738-04058   | 1   |       | Shoulder Spacer                                  |
| 24    | 783-04919   | 1   | S     | Mounting Bracket, LH                             |
| 25    | 783-04968   | 1   | S     | Mounting Bracket, RH                             |
| 26    | 783-0601    | 1   | S     | Mounting Bracket                                 |
| 27    | 783-0673B   | 1   | S     | Mounting Bracket RH                              |
| 28    | 783-0764B   | 1   | S     | Mounting Bracket LH                              |
| 29    | 783-0765    | 1   | S     | Bracket: Cross Support                           |
| 30    | 764-0221    | 1   | S     | Catcher Bag Assembly                             |
| 31    | 16591A      | 1   | S     | Bag Hanger Bracket                               |
| 32    | 710-0473    | 1   | /P    | Machine Screw, , #10-24 x .5                     |
| 33    | 710-0604A   | 1   | /P    | Self-tap. Scr., 5/16-18 x .625                   |
| 34    | 712-0272    | 1   | /P    | Hex Sems Nut, #10-24                             |
| 35    | 749-0701A   | 1   | S     | Grass Bag Frame                                  |
| 36    | 764-0221    | 1   | S     | Grass Catcher Bag                                |
| 37    | 16595B      | 1   |       | Screen Mounting Bracket                          |
| 38    | 16596       | 1   | S     | Hinge Assembly                                   |
| 39    | 710-1652    | 1   | /P    | Self-Tap. Screw 1/4-20 x .625                    |
| 40    | 720-04017   | 1   |       | Grass catcher Sceen                              |
| 41    | 726-0233    | 1   | /P    | Push Nut, .25 x .50                              |
| 42    | 726-0258    | 1   |       | Zip Twist Fastener                               |
| 43    | 728-0123    | 1   | S     | Pop Rivet, 3/16 x .450                           |
| 44    | 731-04167   | 1   |       | Double Grassbag Cover                            |
| 45    | 731-04189   | 1   | S     | Grassbag Hopper Seal                             |
| 46    | 731-0824A   | 1   | /P    | Plastic Plate, 1/8 x 5.6                         |
| 47    | 735-04020   | 1   | S     | Grassbag Hopper Seal                             |
| 48    | 736-0400    | 1   | S     | Flat Washer, .194 x .62 x .063                   |
| 49    | 742-0644    | 1   | S     | 2-in-1 Blade 16.28" 46" Deck only                |

190-182-190 Twin Bagger (2007)  
Bagger Assembly

Page 3 of 3

| Ref # | Part Number | Qty | S/P/F | Description                       |
|-------|-------------|-----|-------|-----------------------------------|
| 50    | 742-0645    | 1   | S     | 2-in-1 Blade 14.88" 46" Deck only |